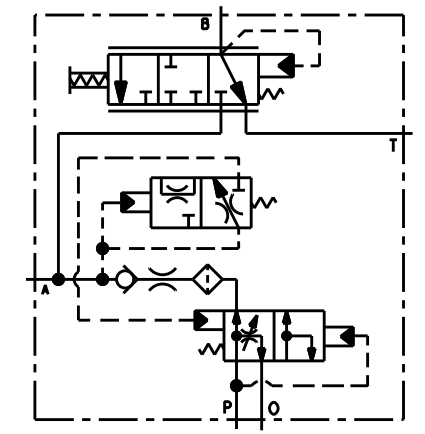


PART NUMBER	REVISION	ALLOWABLE SYSTEM RELIEF VALVE PRESSURE (psi [bar])	ACCUMULATOR CHARGE LOW (psi [bar])	ACCUMULATOR CHARGE HIGH (psi [bar])	ACCUMULATOR CHARGE RATE (GPM [LPM])	MAXIMUM BRAKE PRESSURE SETTING (psi [bar])	APPROXIMATE FORCE FOR MAXIMUM BRAKE PRESSURE (lb [N]) / (psi [bar])	APPROXIMATE FORCE FOR INTERMEDIATE BRAKE PRESSURE (lb [N]) / (psi [bar])	INSTALLED HEIGHT
06-460-800	K	2000±500 [137.9±34.5]	600±50 [41.4±3.4]	1300±25 [89.6±1.7]	1.7±.5 [6.4±1.9]	650±50 [44.8±3.4]	380 [1690] / 700 [48.3]	75 [334] / 100 [6.9]	1.388 [35.25]
06-460-820	L	2000±500 [137.9±34.5]	600±50 [41.4±3.4]	1300±25 [89.6±1.7]	2.6±.6 [9.8±2.3]	650±50 [44.8±3.4]	380 [1690] / 700 [48.3]	75 [334] / 100 [6.9]	1.388 [35.25]
06-460-848	K	2175±325 [150.0±22.4]	1350±25 [93.1±1.7]	1650±25 [113.8±1.7]	1.7±.5 [6.4±1.9]	1025±25 [70.7±1.7]	590 [2624] / 1000 [68.9]	280 [1246] / 500 [34.5]	1.435 [36.45]
06-460-958	C	2000±500 [137.9±34.5]	875±50 [60.3±3.4]	1300±25 [89.6±1.7]	1.7±.5 [6.4±1.9]	500±50 [34.5±3.4]	300 [1334] / 475 [32.8]	75 [334] / 100 [6.9]	1.369 [34.77]



INCH
[MILLIMETER]

NOTES:

1. TO BE USED WITH MINERAL BASE HYDRAULIC OIL ONLY.
2. DIMENSIONS WITHOUT TOLERANCE MAY VARY BETWEEN UNITS AND ARE TO BE USED FOR REFERENCE PURPOSES ONLY. MILLIMETER VALUES MAY NOT BE AN EXACT CONVERSION OF INCH VALUES.
3. REPAIR KIT P/N 06-459-004
4. ∇ FOR FULL PRESSURE TO BRAKE PORT PISTON MUST BE FULLY STOPPED AGAINST HOUSING.
5. ∇ THIS DIMENSION INCLUDES APPROXIMATE PRE-TRAVEL AND MODULATION TRAVEL.
6. WEIGHT: 17.5 LB

PERFORMANCE CHARACTERISTICS:

1. SYSTEM RELIEF VALVE NOT INCLUDED.
2. RECOMMENDED SYSTEM FLOW IS 5 TO 35 GPM [18.9 TO 132.5 LPM].
3. FLOW THRU PRESSURE DROP IS APPROXIMATELY 20 psi [1.4 bar] AT 35 GPM [132.5 LPM] WITH 14 CENTISTOKE OIL.
4. INTERNAL FILTRATION IS 54 MICRON OR BETTER.
5. EXTERNAL FILTRATION TO BE 10 MICRON OR BETTER.



COMPONENT AND SYSTEM RECOMMENDATIONS MADE BY MICO, INC ARE BASED ON INFORMATION SUPPLIED BY POTENTIAL USER AND/OR SYSTEM DESIGNER. THE POTENTIAL USER AND/OR DESIGNER MUST MAKE FINAL ACCEPTANCE AND APPROVAL OF COMPONENTS AND SYSTEM AFTER TESTING PERFORMANCE ON AN ACTUAL APPLICATION FOR WHICH SYSTEM WAS DESIGNED.		MICO, INC CLAIMS PROPRIETARY RIGHTS TO THE MATERIAL DISCLOSED IN THIS DOCUMENT. THIS DOCUMENT IS PROVIDED IN CONFIDENCE AND MAY NOT BE REPRODUCED OR DISCLOSED WITHOUT WRITTEN PERMISSION FROM MICO, INC. COPYRIGHT MICO, INC. ALL RIGHTS RESERVED.	
SCALE 0.500	TITLE FULL POWER BRAKE VALVE		
DWN MAP 2012-09-19	APVD PROD ENGRG DPD 2012-09-20	SIZE B	DRAWING NUMBER 89-460-008
X NO	APVD ENGRG PWB 2012-09-19		REV A
			CUSTOMER COPY